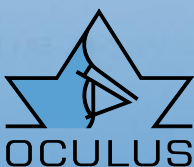
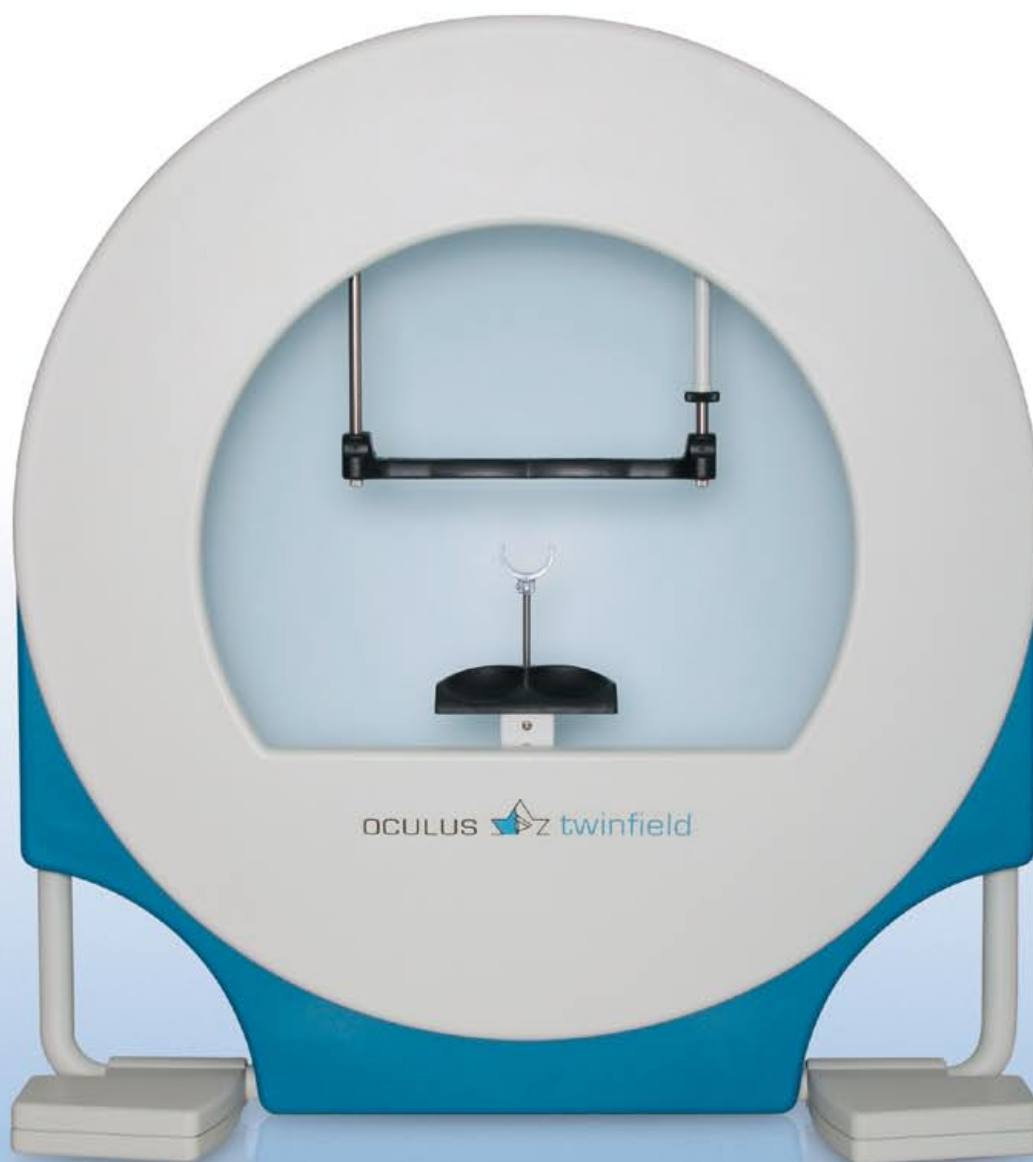




# OCULUS TWINFIELD 2



We focus on progress

# OCULUS TWINFIELD 2

A new dimension in visual field measurement

## All Measurement Principles in a Single Device

### Static Perimetry

Static perimetry with classic or fast threshold measurement and supra threshold examination, using pre-programmed and customer-specific test point grids.

### Kinetic Perimetry

Automatic or manual kinetic examinations for fast additional information and confirmation of diagnosis.

### Static & Kinetic

The combination of static and kinetic strategies in one program allows rapid full field screening.

### Color Perimetry

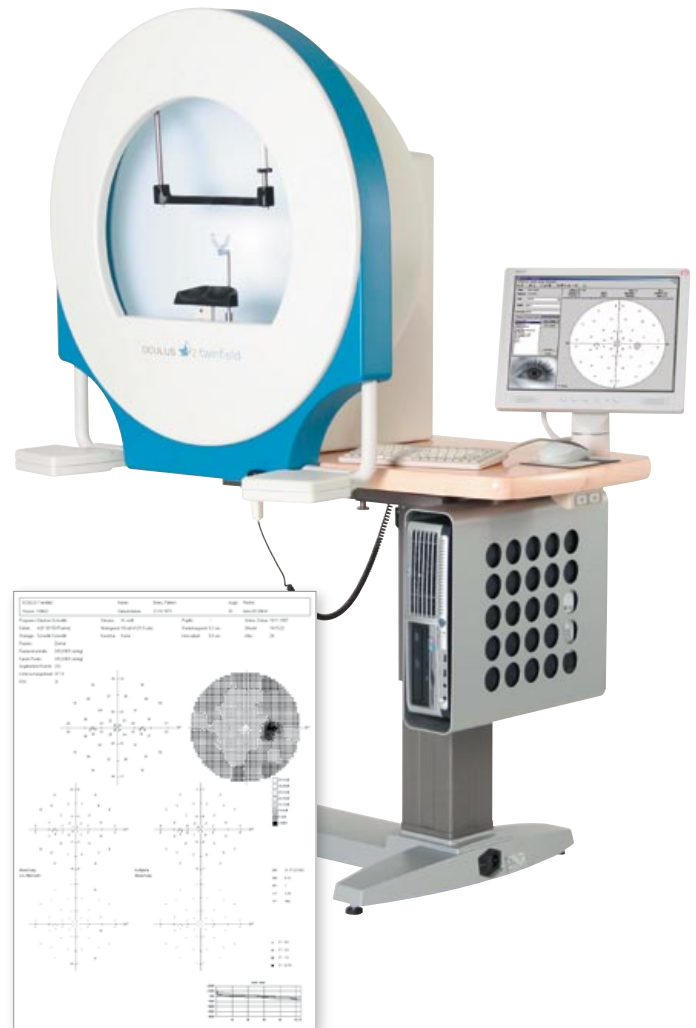
Red or blue stimuli can be presented either statically or kinetically on a white or yellow background.

### Goldmann Standard

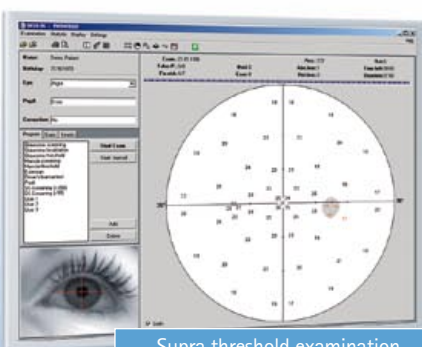
Flexible stimulus characteristics (*size, luminance, free manual positioning and movement*) also permit official certification examinations according to the Goldmann Standard.

### CLIP

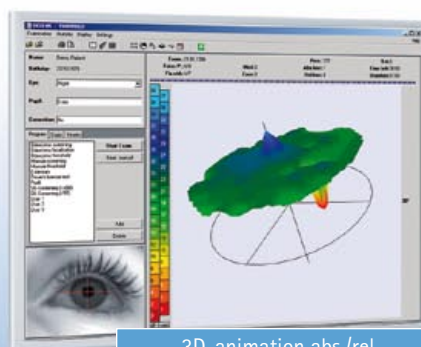
**Continuous Light Increment Perimetry:** This unique strategy unifies REAL threshold testing with the speed of a screener.



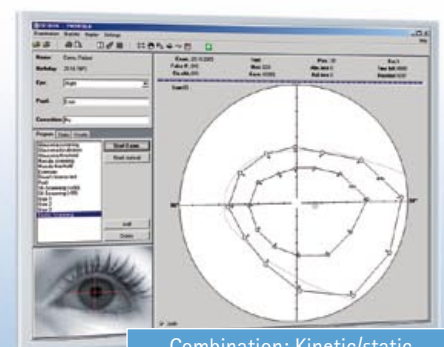
→ db-values (abs./rel.)/  
Greyscale, Defect curve



Supra threshold examination



3D-animation abs./rel.



Combination: Kinetic/static

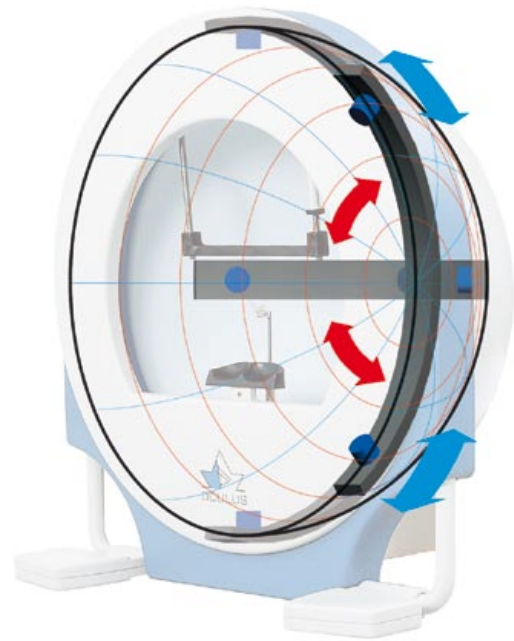
## Technical Highlights

### Unique Type of Projection System

The new system opens up many new possibilities for you, e.g. kinetic perimetry (*automatic and manual*). Service and maintenance are simplified by the modular design – no test point lamp change is required. Exact projection of stimuli, precise reproducibility of the test point location and full 85° excentricity in every meridian are further benefits.

### Easy-to-use PC

The Twinfield is controlled from a desktop computer or laptop by a clearly organized menu system. The software consists of a patient database and a device control program. Perimetry results can then be transferred to all PCs which have the perimetry program and are installed in the network.



### Universal, Fast, Compact

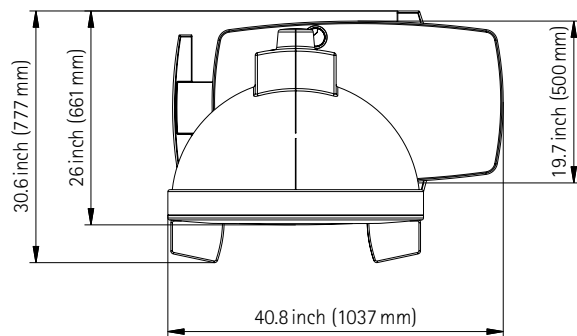
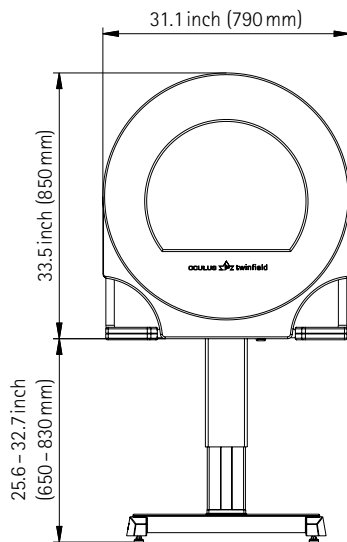
This perimeter is optimized for the daily use in clinical routine and medical practices with screening and threshold examinations, a follow-up program and analysis of static results.



## Technical Data – TWINFIELD 2

Radius of the perimeter bowl	r = 30 cm
Test point parameter	Correspond to the Goldmann-Standard
Stimulus size	I/III/V
Stimulus luminance range	0.1–318 cd/m <sup>2</sup> (1000 apostilbs)
Stimulus luminance increments	0.1 log steps
Test point display duration	0.2 s/0.5 s/0.8 s/user-defined
Stimulus interval	0.6 s/0.9 s/user-defined
Test point colors	White, red, blue
Field size	90°
Background brightness	10 cd/m <sup>2</sup> (31.5 apostilbs)
Fix-Control	CCD camera, central threshold, Heijl-Krakau
Patient positioning	Motorized chin rest, headrest adjustable up-down, back-to-front. Ergonomic arm rest
Weight	93 pounds/ 42 kg (without table)
Electrical operating voltage	100–240V
Static Perimetry	Classical (4-2) threshold, fast threshold adapted to surroundings, Threshold-oriented ( <i>supraliminal</i> ) class strategy, CLIP Minimum 14 areas/test point grids As many freely selectable individual test points in the 30°/full field range as desired
Kinetic Perimetry	Automatic: Isopters on freely selectable meridians, sectors and speeds Manual: Stimulus freely movable with the mouse, semi-automated scotoma boundaries mapping
Interfaces	USB

CE According to Medical Device Directive 93/42/EEC



WWW.OCULUS.DE

OCULUS Optikgeräte GmbH

Postfach • D-35549 Wetzlar

Tel. ++49-641-2005-0 • Fax ++49-641-2005-295

E-Mail: export@oculus.de • www.oculus.de

OCULUS Inc.

#112 • 2125 196<sup>th</sup> Street SW • Lynnwood • WA 98036

Toll free 1-888-284-8004 • Fax ++1-425-670-0742

E-Mail: sales@oculususa.com • www.oculususa.com



Oculus is certified by TÜV according to  
DIN ISO 13485:2003/DIN EN ISO 9001:2000