



EXPORT PRODUCT CATALOGUE 2024



MDT (est. 1999) is a reliable manufacturer and supplier of ophthalmic medical devices, accessories and consumables (including BioGlo™ Fluorescein Sodium Strips, TearFlo™ Schirmer Test Strips, and CRP - Chin Rest Papers).

Thanks to our experience, a long-lasting international presence, sustainable development, focus on craftsmanship and excellent business partners we are able to meet the growing requirements by offering a wide range of high-quality, functional products for medical practitioners and OEM market.

Among the others we manufacture ophthalmic surgical tables, operator's chairs, refraction units (workstations), electric tables, stools, as well as devices used for diagnostics and treatment of strabismus and amblyopia, which are proudly 'made in EU' and CE marked, as well as FDA approved.

We are proud of our Authorised Service Partners and service engineers who provide the customers with an outstanding level of technical support, both at the stage of equipment installation and in case of any issues which could have occurred during a product life-time.

Should you need any further information, please do not hesitate to contact your local business partner, as they look forward to hearing from you!

MDT Team



ECO PLUS

refraction unit



Our bestseller thanks to the widest selection of optional features, and right- or left- handed factory setup available.

TECH SPEC

- Equipped with electrically elevated COMFORT chair with footrest (swivel and reclining systems - optional)
- 2 instruments sliding table top with optional electrical height adjustment
- Auto ref/keratometer, slit lamp DC power supply and illumination adjustment knobs built-in the table top
- Simple connection of different types of slit lamps (SL): LED/halogen
- Convenient control panel
- Easily accessible accessories drawer with a cassette for trial lens set
- ALU post with efficient, foldable and revolving LED lamp and chart projector shelf
- Wide selection of upholstery colours available without a surcharge
- Right-handed setup as a standard, left-handed available upon order only
- Side casings painted in RAL7024, decors in RAL1034
- Table tops painted in RAL7024
- Steel base powder coated in RAL9006
- EU Declaration of Conformity provided



PA-1000*



PA-3000*



Control panel



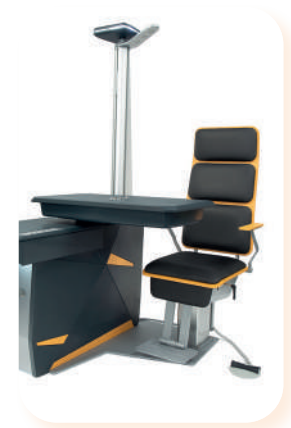
Auxiliary outlets panel**



Trial lens set*



ECO PLUS with COMFORT chair (right-handed setup)



Left-handed setup*



Reclining system*



PREMIUM chair*



Swivel system*



CBS-1000

* - optional feature

** - data transfer ports (USB 2.0, RS-232) - option

OPTIONAL EXTRAS

- Reclining COMFORT chair 33° (±1,5)
- Swivel COMFORT chair 85° (±3)
- PREMIUM chair with foldable armrests and footrest, electrically elevated, reclining/swivel system built-in
- PA-1000 counterbalanced phoropter arm (equipped with a gas spring)
- PA-3000 linear phoropter arm (with upward/downward chair movement switches built-in)
- Table top with electrical height adjustment, equipped with a safety device
- Customised main body colours
- Left-handed setup (available upon order only)
- Data transfer ports (USB 2.0, RS-232)
- CBS-1000 Control Box Stand
- Ophthalmoscope/retinoscope rack

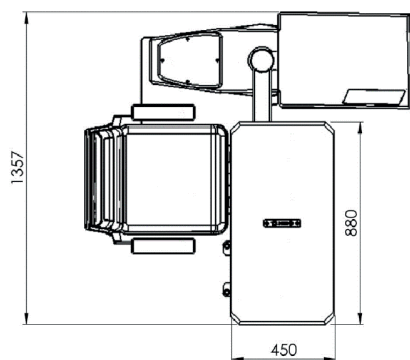
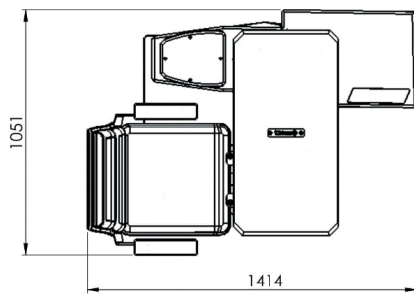
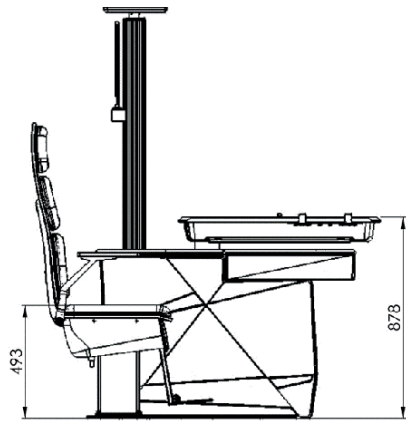
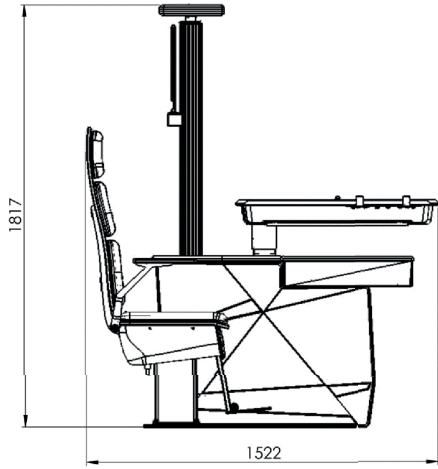
Dimensions	COMFORT CHAIR	PREMIUM CHAIR
Width	1 051 - 1 357mm	1 037 - 1 357mm
Depth (reclined chair, extended table top)	1 414 - 1 522mm (1 885mm)	1 373 - 1 481mm (2 246mm)
Height	1 817mm	
Chair height working range	493 - 693mm	507 - 707mm
Table top dimensions	880 x 450mm	
Table top height (fixed)	878mm	
Table top working range (height adjustable)	878 - 978mm	

Technical specification

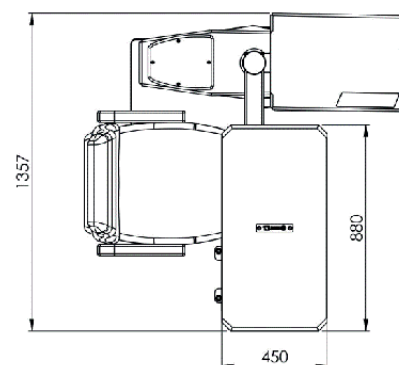
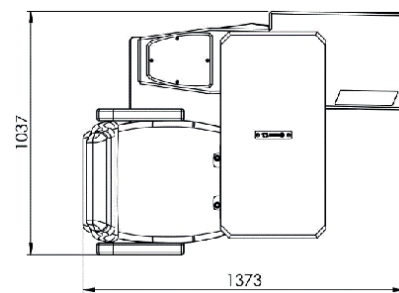
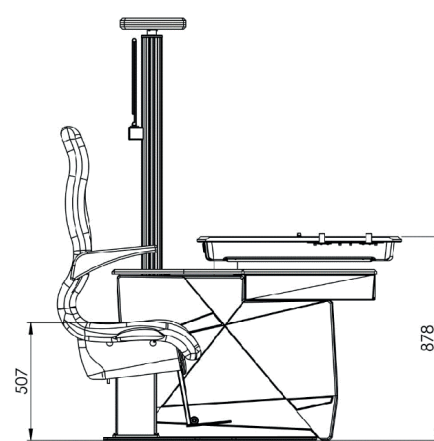
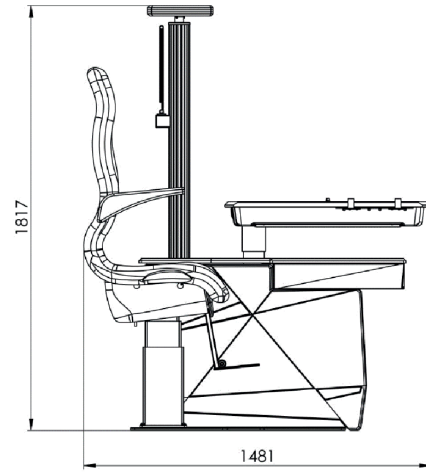
Supply voltage	100 - 240V AC, 50/60Hz
Power	280VA
LED lamp power	9W
Power supply cord	3m with UniSchuko plug
Max. table top load	50kg
Max. chair load	150kg
Max. power of devices connected to 2x C-13 sockets	450VA
Power supply voltage at the table top sockets (SL/AUX1)	2.5 - 24V DC
Supply current of the slit lamp fixator	0 - 100mA (LED) or 0 - 250mA (bulb)
Packaging	1 pallet, 120x80x160cm, ca. 256kg (gross)



ECO PLUS WITH COMFORT CHAIR



ECO PLUS WITH PREMIUM CHAIR



PA-1000

phoropter arm



TECH SPEC

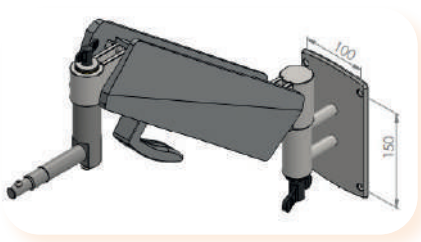
- Universal platform for either manual or automatic phoropter installation
- Manually operated
- Doesn't contain any electronic components
- Counterbalanced, equipped with a gas spring
- PA-1000 is compatible with ALU posts of all MDT refraction units
- Alternatively, PA-1000 can be wall installed using an adapter - optional feature
- Adjustment in all planes provides the best position for the patients and the doctors during the examinations

Dimensions

Length	583mm
Width	70mm
Height	244mm

Technical specification

Max. upward movement range	43°
Max. downward movement range	35°
Operational swivel range	ca. 90°
Net weight	6.5kg
Max. load	15kg
Packaging	1 box: 56x29x18cm; 8kg (gross)



Wall installation adapter
(optional feature)

PA-3000

phoropter arm



TECH SPEC

- Chair height adjustment - compatible MDT refraction units only - thanks to control buttons built-in
- Smooth manual sliding system
- Compact shape
- Reliable communication with auto phoropter thanks to fully covered wires
- Universal fastening system gives the opportunity to install various types of phoropters
- Working angle facilitates to choose the best horizontal position for a patient's examination
- Compatible with MDT refraction units, except SMART PLUS with diagonal ALU post and UNIQ

Dimensions

Length	470 - 1083mm
Width	130mm
Height	206mm

Technical specification

Possible swivel range	±15°
Number of control buttons	2
Total length of connection cable with NS39-G3 plug	3.5m
Net weight	7.8kg
Max. load	15kg
Packaging	1 box: 54x30x21cm; 9kg (gross)