

EASY

refraction unit

Basic refraction unit which combines functionality, excellent quality with compact dimensions.



PRODUCT TECH SPEC

- EASY equipped with electrically elevated STANDARD chair (footrest - optional)
- 2 instruments sliding table top with a non-adjustable height
- Simple connection of different types of slit lamps: LED / halogen
- Convenient control panel
- Aluminium post with illumination LEDs and universal chart projector adapter
- Auto-refractor, slit lamp DC power supply and adjusting knobs for a slit lamp illumination built-in the table top
- Wide selection of upholstery colours available with a surcharge (SCURO - grey colour as a standard)
- Easy right- or left-handed onsite setup allowed for Authorised Service Partner only
- Steel base powder coated
- EU Declaration of Conformity provided



PA-1000



EASY with STANDARD chair*



Left-handed setup



PA-3000



EASY with COMFORT chair**



Chart projector shelf



Control panel



Auxiliary Outlets Panel



Trial lenses tray with pivotal arm



COMFORT chair with reclination system**



CBS-1000

*- optional footrest

**-optional trial lenses tray with pivotal arm

PRODUCT OPTIONS

- Footrest for STANDARD chair
- COMFORT chair electrically elevated with armrests, footrest, reclining & swivel systems built-in
- PA-1000 counterbalanced phoropter arm (equipped with a gas spring)
- PA-3000 linear phoropter arm (with upward/downward chair movement switches built-in)
- Wide selection of upholstery colours available with a surcharge (SCURO - grey colour as a standard)
- Trial lenses tray with pivotal arm
- Chart projector shelf
- CBS-1000 Control Box Stand
- Ophthalmoscope/retinoscope rack

Dimensions	STANDARD CHAIR	COMFORT CHAIR
Width	886 - 1 266mm	972 - 1 266mm
Depth (reclined chair, extended table top)	1 175 - 1 506mm	1 265 - 1 596mm (2 352mm)
Height	1 682mm	1 682mm
Chair height working range	427 - 627mm	493 - 693mm
Table top dimensions	870 x 440mm	
Table top height (fixed)	874mm	
Table top working range (height adjustable)	n/a	

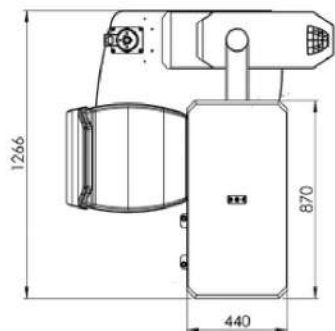
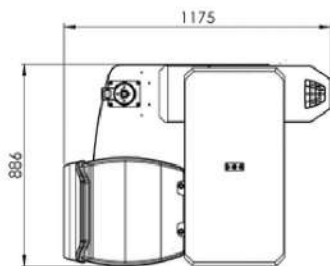
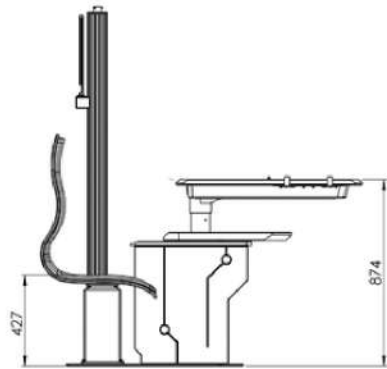
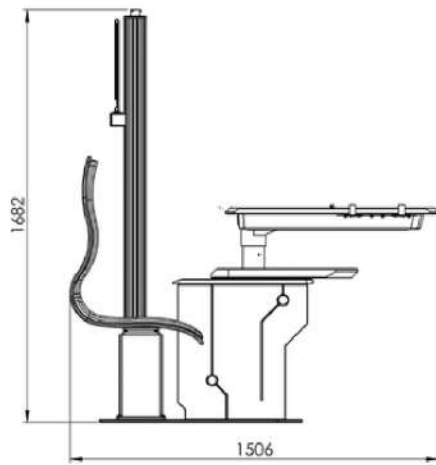
Technical specification

Supply voltage	100-240V AC, 50/60Hz
Power	280VA
LED lamp power	9W
Power supply cord	3m with UniSchuko plug
Max. table top load	50kg
Max. chair load	150kg
Max. power of devices supplied from F-type sockets	450VA
Power supply voltage at the table top sockets (SL/AUX1)	2.5 - 24V DC
Supply current of the slit lamp fixator	0-100mA (LED) or 0-250mA (bulb)
Packaging	1 pallet, 120x80x160cm, 200kg

Available colours:



EASY WITH STANDARD CHAIR



EASY WITH COMFORT CHAIR

