

# SMART PLUS

refraction unit

Smart design combined with ergonomics and a full range of optional equipment. Offered in right-handed setup only.



## PRODUCT TECH SPEC

- SMART PLUS equipped with electrically elevated COMFORT chair (swivel and reclining systems - optional)
- 2 instruments sliding table top with optional electrical height adjustment
- Auto-refkeratometer, slit lamp DC power supply and adjusting knobs for a slit lamp illumination built-in the table top
- Simple connection of different types of slit lamps: LED / halogen
- Convenient control panel and easily accessible trial lenses tray with pivotal arm
- Diagonal aluminium post with illumination LEDs and chart projector shelf
- Wide selection of upholstery colours available without a surcharge
- Right-handed setup only
- Steel base powder coated
- EU Declaration of Conformity provided



PA-1000



SMART PLUS with COMFORT chair



PREMIUM chair



Control panel



Reclination system



COMFORT chair\*



Auxiliary Outlets Panel



Swivel system



CBS-1000



Trial lenses tray with pivotal arm

\*- with optional swivel and/or reclining systems

## PRODUCT OPTIONS

- Reclination of COMFORT chair 33° ( $\pm 1,5^\circ$ )
- Rotation of COMFORT chair 85° ( $\pm 3^\circ$ )
- PREMIUM chair with foldable armrests and footrest, electrically elevated, reclining/swivel system built-in
- PA-1000 counterbalanced phoropter arm (equipped with a gas spring)
- Table top electrically elevated equipped with a safety device
- Customised main body colours
- Data transfer ports (USB 2.0, RS-232)
- CBS-1000 Control Box Stand
- Ophthalmoscope/retinoscope rack

<b>Dimensions</b>	<b>COMFORT CHAIR</b>	<b>PREMIUM CHAIR</b>
Width	1 122 - 1 442mm	1 107 - 1 442mm
Depth (reclined chair, extended table top)	1 531 - 1 536mm (2 289mm)	1 489 - 1 495mm (2 260mm)
Height	1 786mm	
Chair height working range	493 - 693mm	507 - 707mm
Table top dimensions	900 x 440mm	
Table top height (fixed)	878mm	
Table top working range (height adjustable)	878 - 978mm	

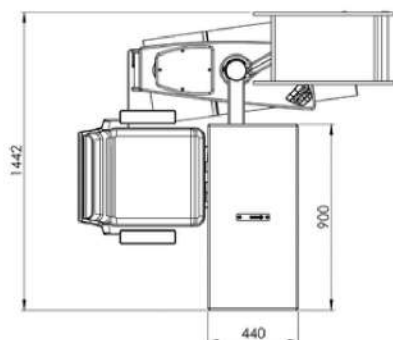
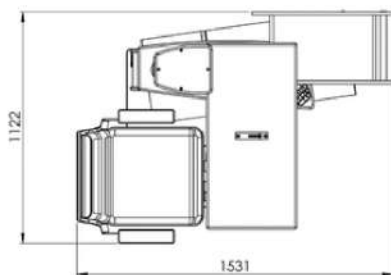
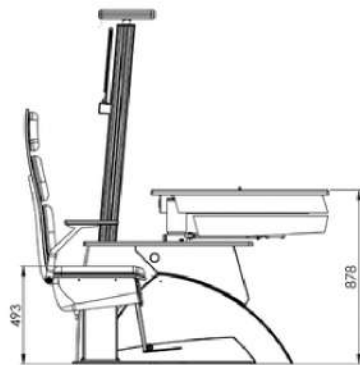
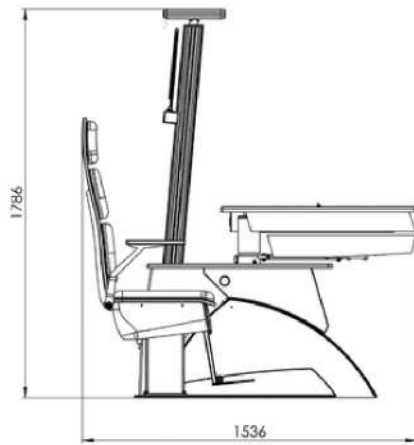
### **Technical specification**

Supply voltage	100-240V AC, 50/60Hz
Power	280VA
LED lamp power	9W
Power supply cord	3m with UniSchuko plug
Max. table top load	50kg
Max. chair load	150kg
Max. power of devices supplied from F-type sockets	450VA
Power supply voltage at the table top sockets (SL/AUX1)	2.5 - 24V DC
Supply current of the slit lamp fixator	0-100mA (LED) or 0-250mA (bulb)
Packaging	1 pallet, 120x80x160cm, ca. 175-225kg (gross)

Available colours:



## SMART PLUS WITH COMFORT CHAIR



## SMART PLUS WITH PREMIUM CHAIR

